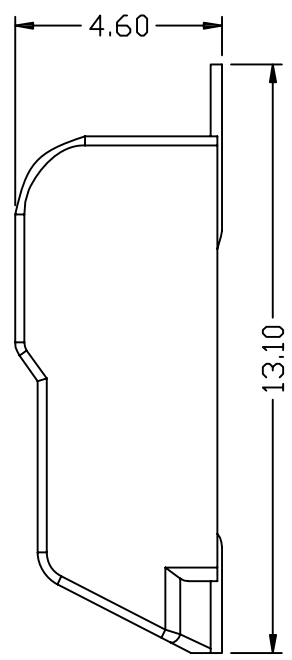
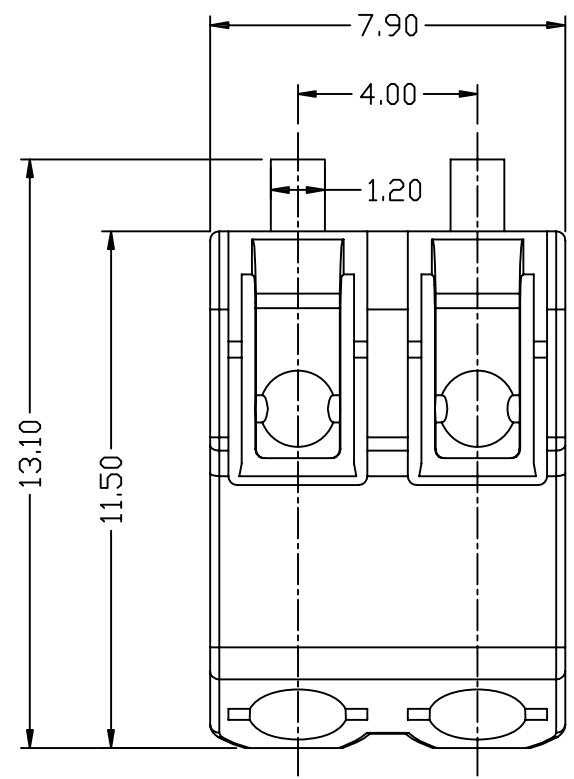


1

1

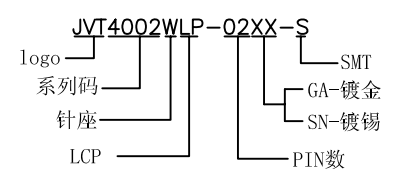


■ SPECIFICATIONS

- Voltage rating: 2000V AC, DC
- Current rating: 9A, AC, DC
- Withstanding Voltage: 250V AC/minute
- Insulation resistance: 500MΩmin
- Temperature range: -25°C~+85°C
- Contact resistance: Initial Value/10mΩ max
- After environmental testing/20mΩ max

■ WAFER

- Part No.: JVT1256W6T-2\*XXGAP-S
- Material: LCP UL 94V-0
- Pin Material: Brass Gold Flash/plated
- Solder Tabs :Brass Gold Flash/plated

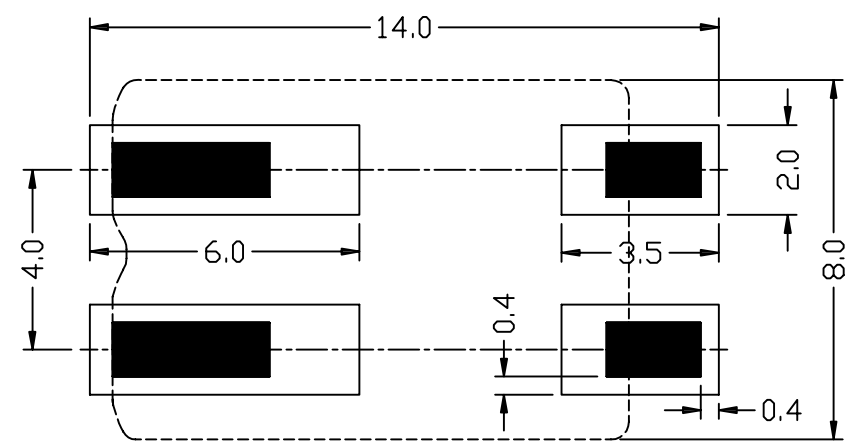
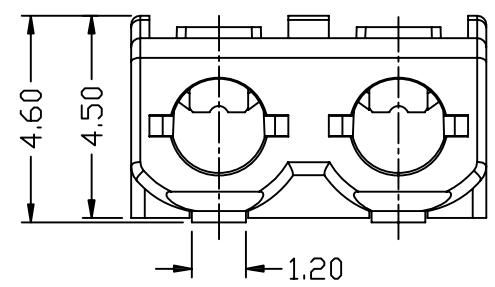


2

2

3

3



2P LAYOUT

GENERAL TOLERANCE	
0	±0.40
.0	±0.30
.00	±0.20
.000	±0.10

4

4

						批准	审核	设计	品名	4.0mm LED CONNECTOR				
		20150512		<b>乔业电子有限公司</b> CHYAO YEE CONNECTORS CO.,L TD			CHEN	TONY	料号	JVT4002WLP-02XX-S				
版本	变更内容			日期		单位	mm	比例	1:1	日期	20150318	图名	版本	A